

# SUPREME



## S520 Series

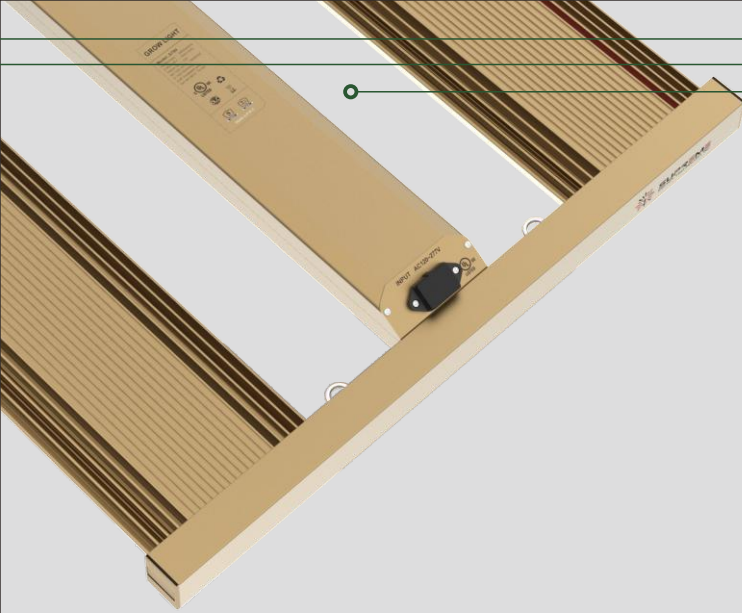
The S520 Series is the trapezoidal growth lamp is the top lighting solution for the full cycle of commercial cannabis cultivation, and is a great boost to innovative agriculture. It help customers achieve sustainable crop planting throughout the year. And a good formula means faster growth, greater harvest and higher quality plants.



FC CE RoHS



# S520 SERIES



## Specifications

Light Source	LED
Light Output PPF	1400umol/s
Efficacy	2.9umol/J @ 277V AC
AC Input Power	498W @ 277V AC
AC Input Voltage	120~277V AC @ 50/60Hz
Power Factor	> 95
Dimming	0~10V Source
Light Beam Angle	120°
Fixture Dimensions	43"L x 23"W x 2.3" H
Fixture Weight	19.5Lbs
Thermal Management	Passive
Max. Ambient Temperature	95°F / 35°C
Mounting Height	6~12 inches
Lifetime	L90: > 50,000hrs
Certifications	UL8800, UL1598, DLC
Warranty	5 Years Standard Warranty

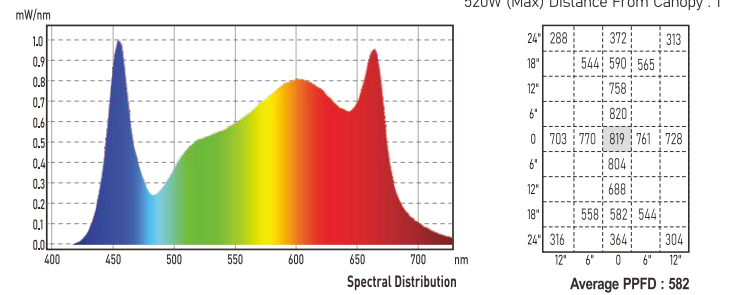
## Max Amperage By Voltage Service

AC VOLTAGE	120V	208V	220V	230V	240V	250V	277V
AC Current	4.34A	2.42A	2.29A	2.20A	2.10A	2.02A	1.84A
AC Power	521W	502W	501W	500W	500W	499W	498W
Power Factor	0.999	0.989	0.985	0.981	0.977	0.973	0.955

\* Nominal electrical AC input, Power tolerance +5%  
\* At 77 F(25°C) ambient temperature

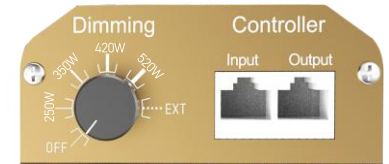
Series	Model	Input Voltage	Frame
S	GL05E224S	1 120~277V	1F fixed frame
		2 347~480V	2F foldable frame

## Product Spectrum & PPF Reading



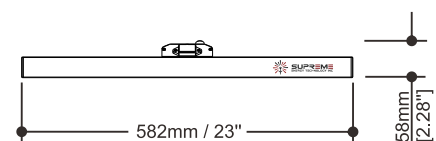
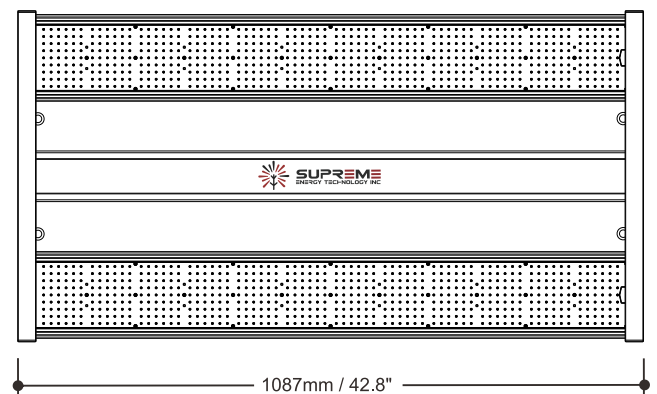
## Product Spectrum & PPF Reading

Knob Position	Power Level	Input Watts
0	0%	0W
1	48%	250W
2	67%	350W
3	81%	420W
4	100%	520W
5	External controller	



Through the external controller, more plant growth lights can be controlled by network.

## Product Dimension



Contact SUPREME

www.supremegrowlight.com  
info@supremegrowlight.com